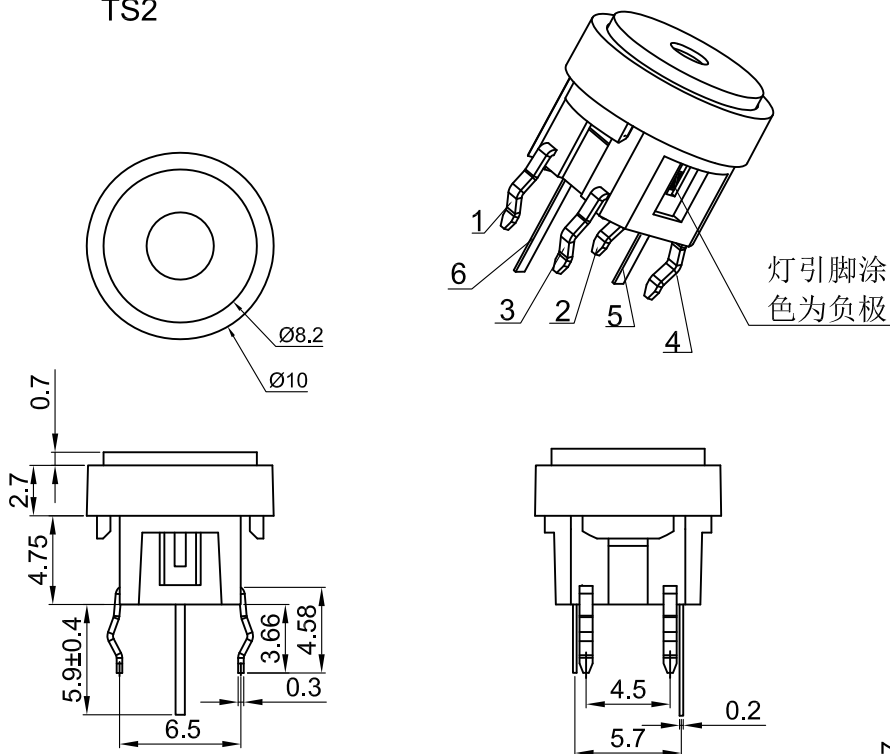




TS2

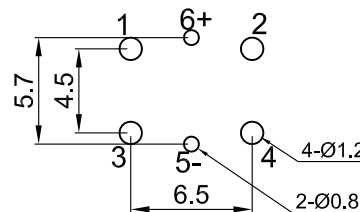


灯引脚涂色为负极

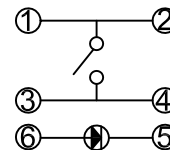
Specifications

- Circuit :SPST
Current rating :50mA
Voltage rating :12VDC
Dielectric withstanding voltage:250VAC for 1 minute
Contact resistance :100mΩ Max. (Initial)
Insulation resistance :100MΩ Min.
Operating force :300±50gf
Total travel :0.25mm±0.1mm
Operating life :100,000 cycles Min
Solder specifications :260° C for 5 seconds
Function :Momentary
Operating temperature :+10° C ~ +60° C

P.C.B. LAYOUT



CIRCUIT



MATERIAL:

- Base Frame: Nylon46, UL rated:94 V-2 Min. ;
Outer Frame: Nylon66, UL rated:94 V-2 Min. ;
Actuator: PBT, UL rated:94 V-2 Min. ;
Cap: ABS ;
Terminal: Brass, Silver or Tin plated .

Table with columns for BG, W, O, RU, U, G, Y, R, and light emission parameters like color, current, and wavelength.

Table with columns for version, date, scale, and drawing information, including 'A1', '2020.03.30', and 'TS2-2B-4BY'.