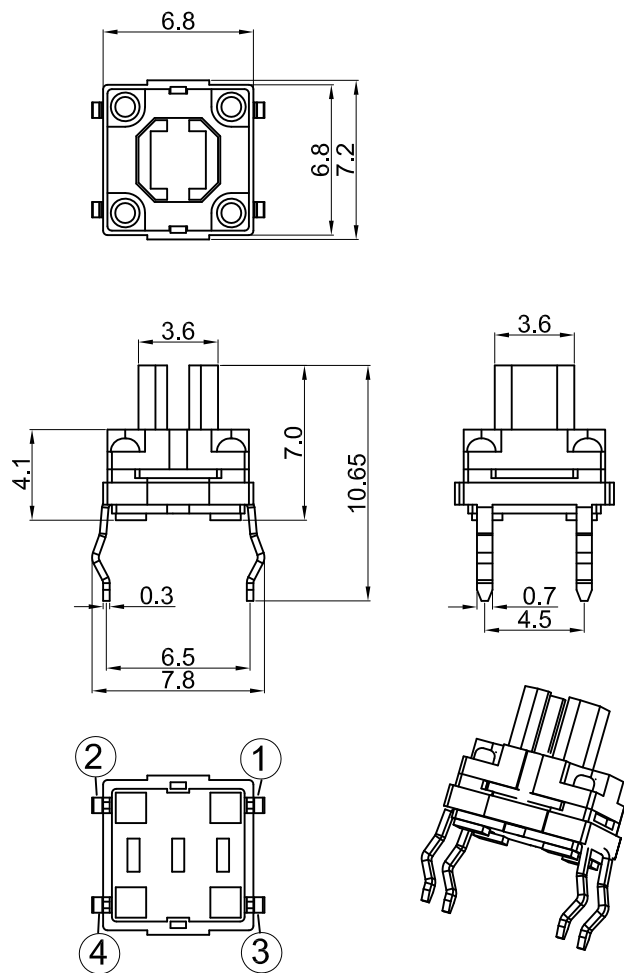




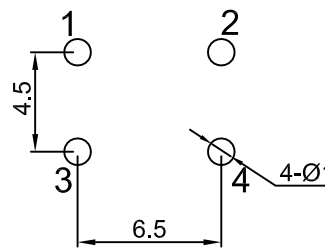
# TS5



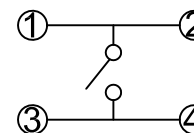
### Specifications

Circuit	:SPST
Current rating	:50mA
Voltage rating	:12VDC
Dielectric withstanding voltage	:250VAC for 1 minute
Contact resistance	:100m Ω Max. (Initial)
Insulation resistance	:100M Ω Min.
Operating force	:300±100gf
Total travel	:0.35±0.1mm
Operating life	:100,000 cycles Min
Solder specifications	:260° C for 5 seconds
Function	:Momentary
Operating temperature	:+10° C ~ +60° C

### P.C.B. LAYOUT



### CIRCUIT



### MATERIAL:

Base Frame:Nylon46,UL rated:94V-2 Min. ;  
 Top Cover:PET,UL rated:94V-2 Min. ;  
 Actuator: Nylon66, UL rated:94V-2 Min. ;  
 Terminal:Brass with Silver-plate.

				公差 TOLERANCES		.X± 0.3	.XX± 0.15	角度	± 1°	单位 DIMENSION UNIT	mm.
				版本 VERSION	A1	比例尺 SCALE	NONE	日期 DATE	2020.07.10	品名 TITLE	图号 DRAWING NO
A1	重新整理发行	2014.07.10	N/A	核准	王龙	核对	Z. H. B.	绘图		TS5-00-00N	TS5-00-00N_A1
版本 VER.	变更说明 CHANGE DESCRIPTION	日期 DATE	ECN NO.	APPROVED BY		CHECKED BY		DRAWN BY			